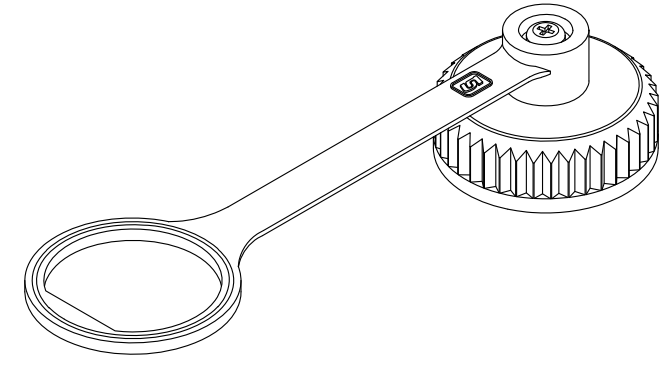
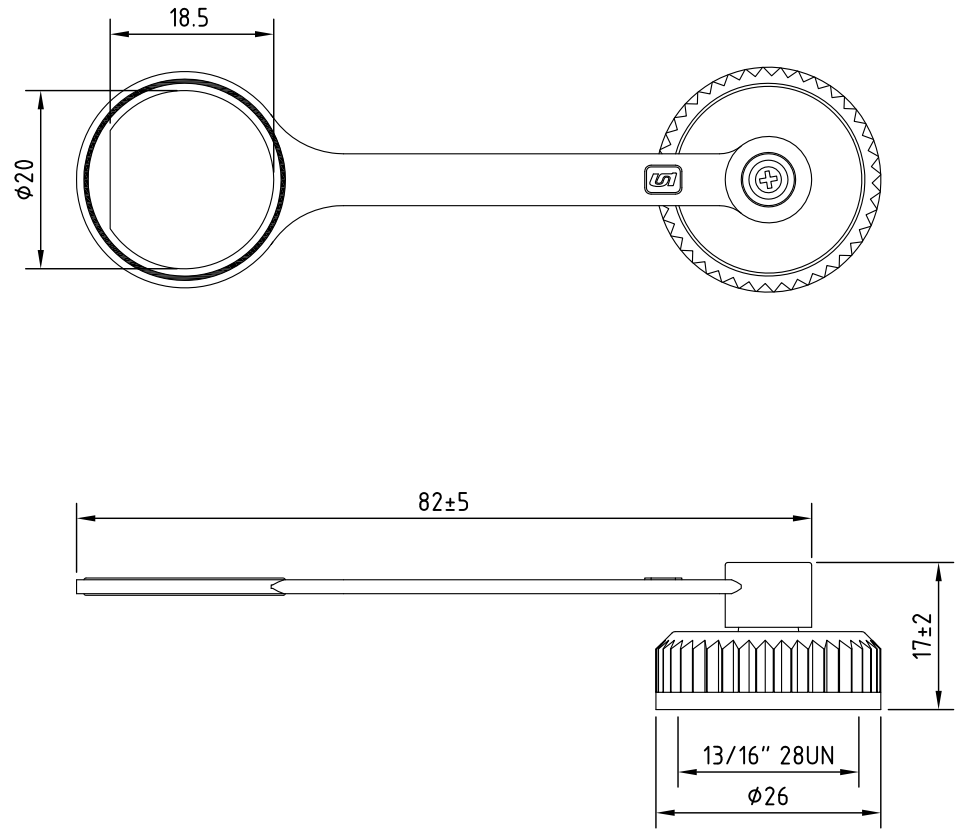


REV.	Description	Date
1	cable tie material revise	2017/8/8
2	dimensions revised	2020/2/5



5	Screw	SUS	
4	Washer	SUS	
3	Cable tie	PU	
2	Pad	Rubber	
1	Cap	PA	
Item	Description	Material	Treat & Remark

RoHS  
TOLERANCE ±0.5



**Unicable Co., Ltd. 國陽電業有限公司**  
5F., No. 111-33, Sec. 4, San Ho Road, San Chung City, Taiwan, R.O.C.  
<http://www.unicable.com.tw> TEL:+886-2-2286-2122 FAX:+886-2-2286-1010

DATE	2020/2/5	PART NO.	UT-4047C-13
DWN	GINA	REV.	2
CHK			
ITEM	Waterproof Cap	UNIT	MM